

040-0870  
 Power Locking Push  
 Button Handle with  
 Capacitive Sense (PKE)



This new power locking Push Button Handle is specifically designed for off-highway vehicle applications that allows use with TriMark's Gen 3 Passive Keyless Entry System featuring integrated capacitive sensor, PKE circuit board and power lock/unlocking motor drive. Providing the same mounting and space claim, OEM's can now offer different levels of features within a Pull or Push-Button Product. Its modular design provides versions that include mechanical locking, state sensing, power locking and capacitive sensing with the same mounting and space claim allowing upgrades across OEM platforms and model differentiation.

**DESIGNED FOR:**

- Medium to heavy-duty agricultural and construction personnel doors
- Off-highway vehicle applications that require a direct release surface mounted exterior push button handle
- Allows power locking/unlocking via a switch, remote RF Fob or keypad
- Adds Integrated Capacitive Sense and Passive Keyless Entry

040-0800	Pushbutton Handle
040-0850	Pushbutton Handle with Power Locking
040-0870	Pushbutton Handle with Capacitive Sensing

**Global Locations:**

**TriMark Corporation**  
 500 Bailey Avenue  
 P.O. Box 350  
 New Hampton, Iowa 50659  
 United States  
 Tel: 641-394-3188  
 Fax: 641-394-2392  
 1-800-447-0343  
 www.trimarkcorp.com

**TriMark Europe**  
 Unit 3 Sence Court  
 Bardon Hill  
 Coalville  
 Leicestershire LE67 1GZ  
 United Kingdom  
 Tel: +44(0)1530 512460  
 Fax: +44(0)1530 512461  
 www.trimarkeu.com

**TriMark (Xuzhou)**  
 Building A5 Jingwu Road  
 Xuzhou Economic  
 Development Zone  
 Xuzhou, Jiangsu  
 221004 PR China  
 Tel: +86 516 8773 0018  
 Fax: +86 516 8773 0058  
 www.trimarkcn.com



TriMark. Interactive. Product. Selector



TriMark



TriMark Corporation



TriMark Corporation



# 040-0870 Power Locking Push Button Handle with Capacitive Sense (PKE)

## **FEATURES/BENEFITS:**

- This modular product offering allows the OEM to offer different level of features and benefits in a Push Button Handle family
- Utilizes a similar mounting pattern and space claim as TriMark's 020-0850/870 Pull Handle family and provides a choice between a push button and pull handle type product with similar functionality
- Easy to operate (ergonomics) with gas injection molded handle for smooth grip area
- Full gloved hand clearance
- 15.8mm (.625") button travel - readily adaptable to a variety of door thickness with an adjustable bolt and nut
- Water resistant to IP65
- Extends the product range of Trimark's 040-0850 e-LOCK Pushbutton Handle with integrated Capacitive Sensor and Passive Keyless Entry PCB board into the base. This minimizes footprint profile of handle to maximize visibility to the user
- Passive Keyless Entry (PKE) provides for "hands free" unlocking
  - ◇ When the users hand enters the field under the handle portion, the system wakes up
  - ◇ This activity energizes the exterior antenna FOBs in range will respond with their serial numbers in a data packet sent via 433 MHz
  - ◇ If the FOBs respond with serial numbers that match an authorized list the control module will pulse the unlock motor for 1/2 second to unlock the handle
- Power lock/unlock motor integrated into handle to reduce assembly and space needs of vehicle
- Maintains lock cylinder for mechanical override incase of power disruption
  - ◇ TriMark KeyOne Plus for "One Key - One Vehicle" convenience

- Readily adaptable to a variety of door thickness with adjustable connecting linkage assembly
- PTC overload to protect motor against excessive heating
- Best in class features flexibility and performance all in one package allowing fewer system configurations

## **AVAILABLE:**

- Can be keyed alike with most single and reversible key systems or keyed random
- Optional integrated switch that indicates electrically the door lock status
- With gasket to facilitate mounting and provide resistance to water and dirt infiltration (sold separately)
- In 12V or 24V versions

## **MATERIAL:**

- Handle and base: Glass reinforced nylon
- Mounting details: brass inserts

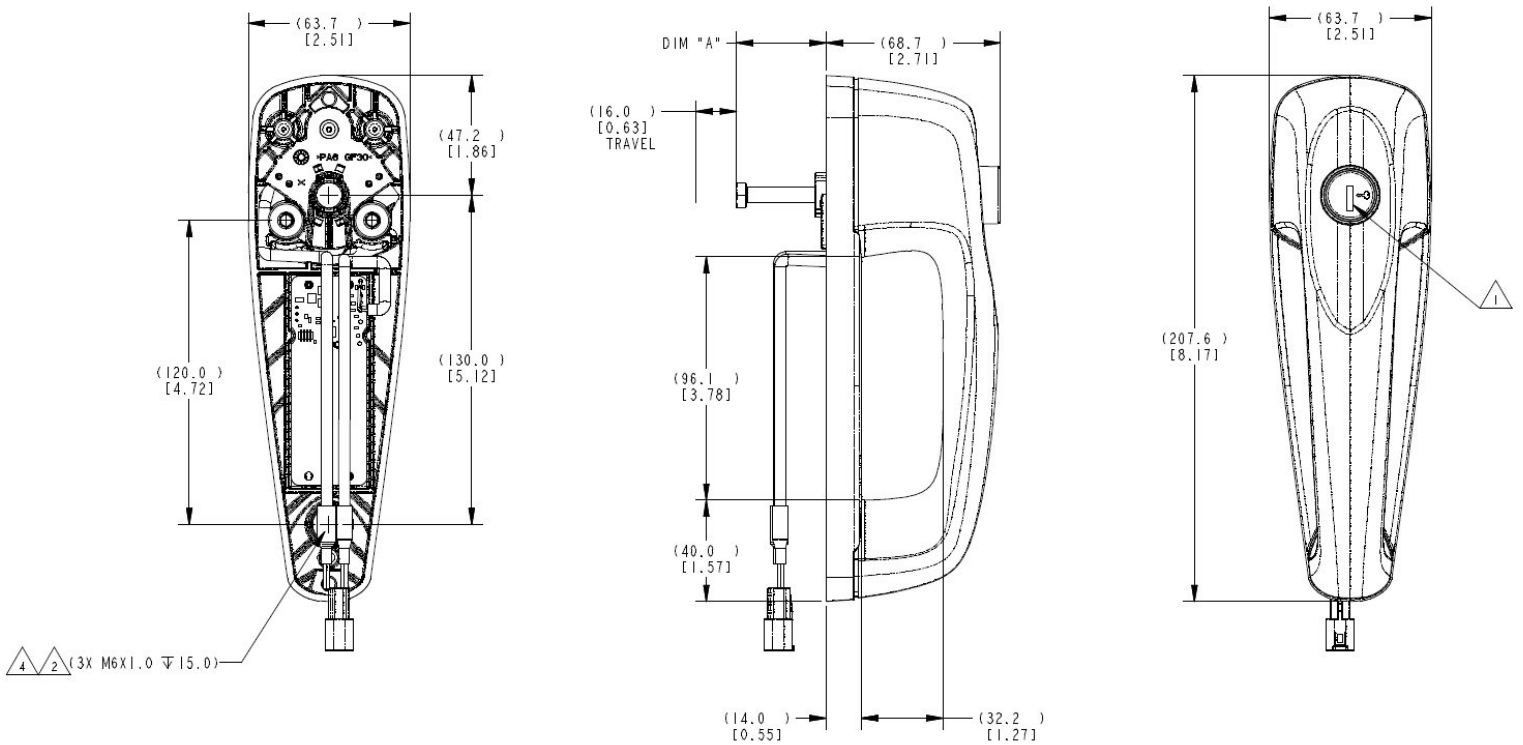
## **INSTALLATION:**

- Easy to install - suitable for mounting to glass, steel and composite doors
  - ◇ Similar mounting pattern as TriMark's 020-0850/870 Pull Handle - mounts against glass with only two holes or steel with conventional mounting (Note: This Push Button has a slightly different cutout for steel doors)
    - ◆ 120mm - 3 bolt pattern (34mm) wide M6 x 1.0 bolts (not included)
  - ◇ Recommended mounting fastener torque to be 9.0 - 11.0 N-m (79 - 97 lbf-in)

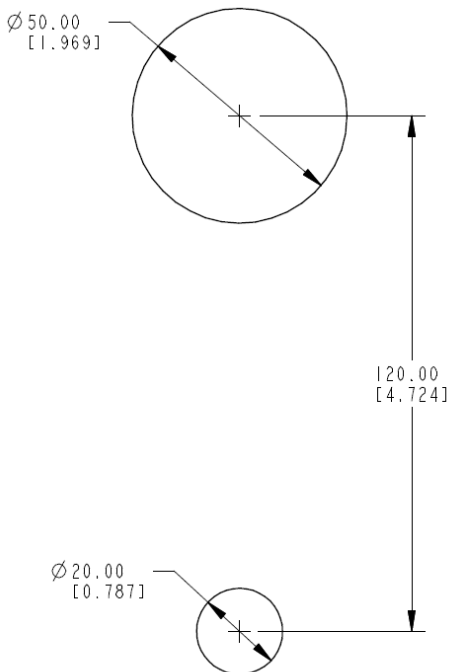
## **Patent Pending**

**CAUTION:** Product does not meet the locking requirements for FMVSS 206 (ECE R11).

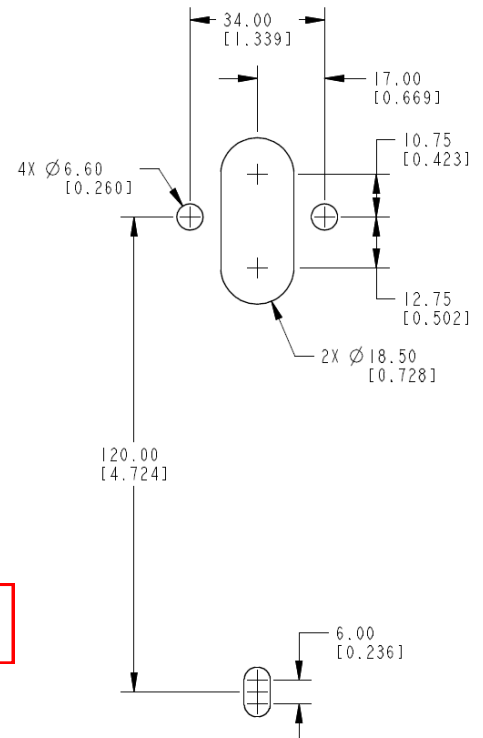
Individual part dimensions are for reference only. Refer to individual part drawings for complete dimensions, specifications, and installation procedures. Engineering assistance and application drawings are available.



### Recommended Glass Mounting Hole Pattern

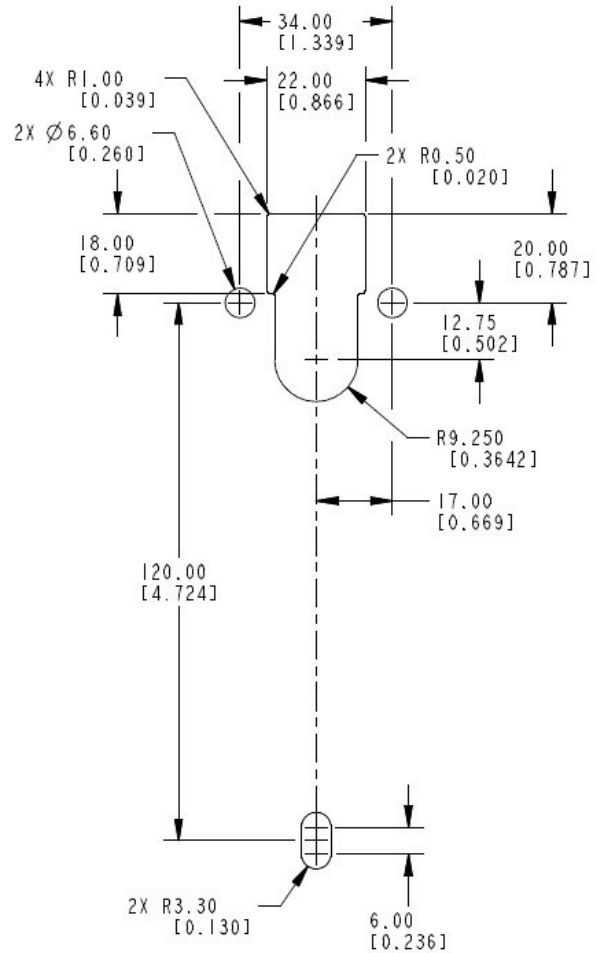
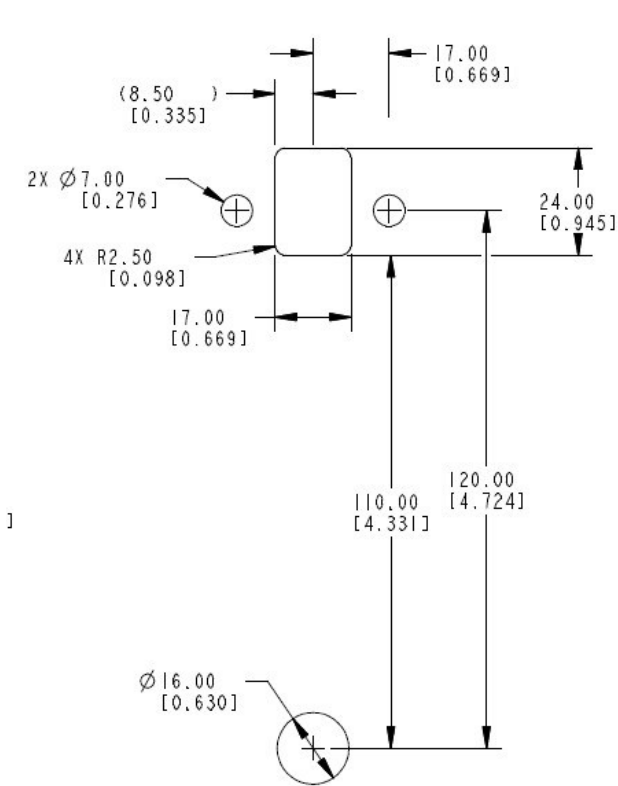


### Recommended Steel Mounting Hole Pattern



For more information visit  
[www.trimarkcorp.com](http://www.trimarkcorp.com)

**Recommended Steel  
 Mounting Hole Pattern**



For more information visit  
[www.trimarkcorp.com](http://www.trimarkcorp.com)